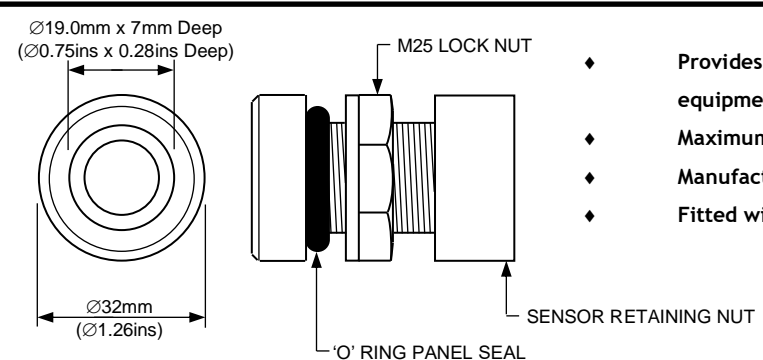


ACCESSORIES FOR USE WITH THE DYNAMENT RANGE OF INFRARED GAS SENSORS

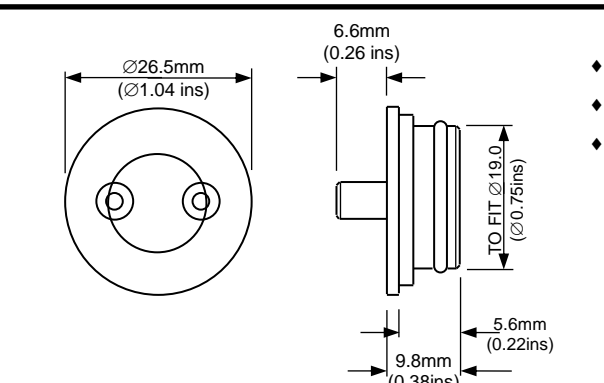
SENSOR MOUNTING (Part No. OEM-1-MTG)



- ◆ Provides a rapid means of mounting sensor into equipment.
- ◆ Maximum panel thickness 4.5mm (0.18ins).
- ◆ Manufactured from grey PVC.
- ◆ Fitted with internal foam gasket seal.

GAS SAMPLING ADAPTOR - TYPE NUMBER OEM-1-ADTR

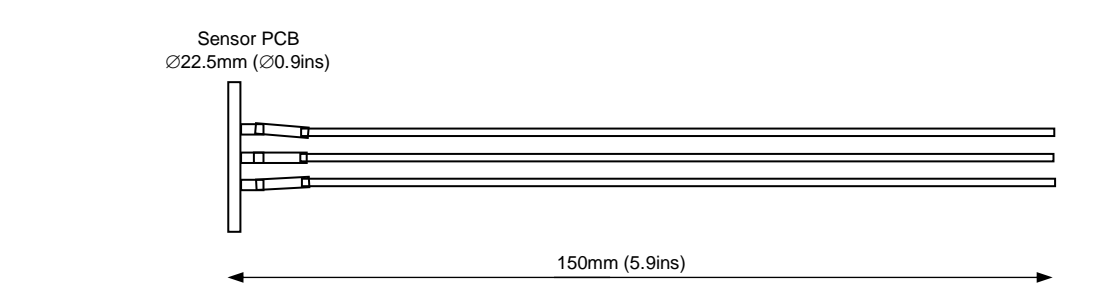
GAS SAMPLING ADAPTOR (Part No. OEM-1-ADTR)



- ◆ Sampling Adaptor for use with above sensor mounting.
- ◆ Accepts flexible, push fit tubing.
- ◆ Supplied with two blanking caps for zero gas calibrations.

Blanking Cap

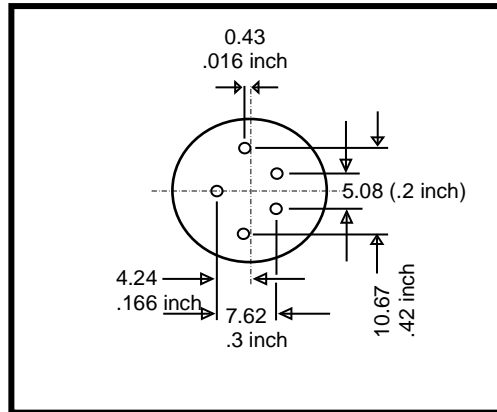
PREMIER SENSOR CIRCUIT BOARD WITH LEADS (Part No. P/PCB)



Sensor PCB
Ø22.5mm (Ø0.9ins)

150mm (5.9ins)

PREMIER SENSOR CIRCUIT BOARD WITHOUT LEADS (Part No. P/PCB/NL)



ORDERING INFORMATION

ITEM	DYNAMENT PART NUMBER
SENSOR MOUNTING	OEM – 1- MTG
GAS SAMPLING ADAPTOR	OEM – 1- ADTR
PREMIER SENSOR CIRCUIT BOARD WITH LEADS	P/PCB
PREMIER SENSOR CIRCUIT BOARD WITHOUT LEADS	P/PCB/NL
PCB SOCKET FOR ALL SENSOR TYPES	SENSOR SOCKET
1 MICRON SELF-ADHESIVE FILTER FOR ALL SENSOR TYPES	FILTER (PTFE)

Dynament Limited

Hermitage Lane Industrial Estate · Kings Mill Way · Mansfield · Nottinghamshire · NG18 5ER · UK.

Tel: 44 (0)1623 663636 ·

email: sales@dynament.com · www.dynament.com